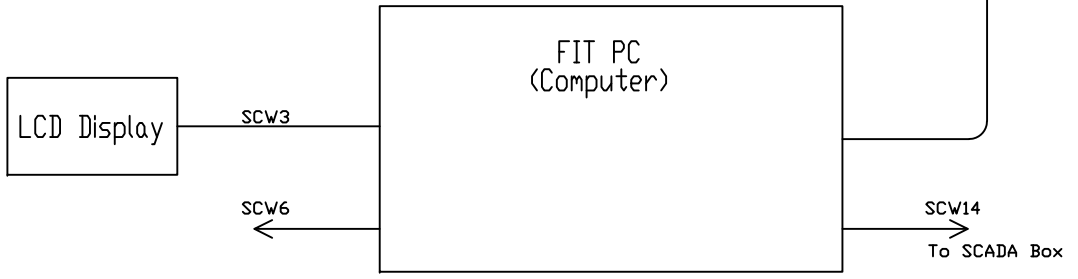


**SCW9 Pinout**

Pin:	LED Display:
1	Green LED - RPI SSR closed
2	Red LED - RPI SSR Open
3	Green LED - EDS SSR Closed
4	Red LED - EDS SSR Open
5	Green LED - Inverter "On"
6	Red LED - Inverter "Off"
7	Green LED - Load Present
8	Red LED - No Load
9	Red LED - System in State 2
10	Red LED - System in State 1
11	Red LED - System in State 4
12	Red LED - System in State 3
16	Red LED - System in State 5
36	5VCDM



⊙ - Terminal in ESS Enclosure

**LAFAYETTE**

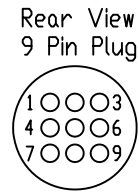
Lafayette College  
Easton, Pa  
ECE Department

TITLE			
SCADA Wiring Diagram			
SIZE	DWG NO	ASSIGNMENT	REV
A	A4	SENIOR DESIGN II	0
COURSE	SHEET	1 of 2	
ECE492		5 - 12 - 2009	

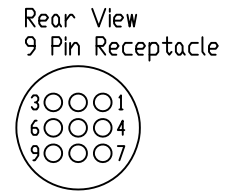
DRAWN BY STEVE LOCKETT

WIRES	COLOR/SIZE
+5V	Red 20 AWG
5VCOM	Black 20 AWG
1K	Blue 18 AWG
1T	Green 18 AWG

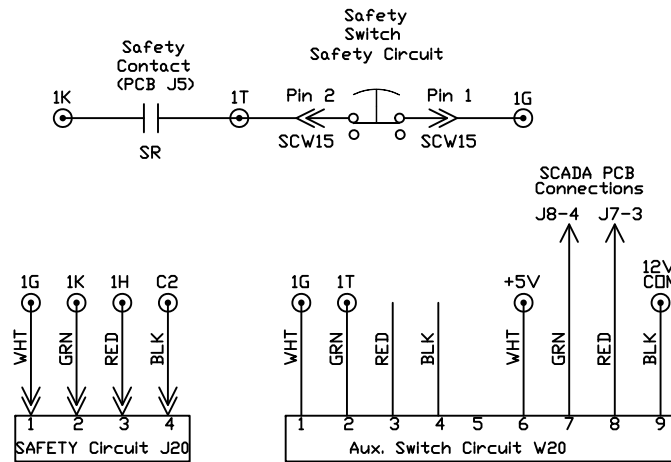
SCW15 (From SCADA)		
Pin	Color	Signal
1	White	E-Stop (1G)
2	Green	E-Stop (1T)
3	Red	N/C
4	Black	N/C
5	N/C	
6	White	+5V
7	Green	J8 Pin 4
8	Red	J7 Pin 3
9	Black	5VCOM



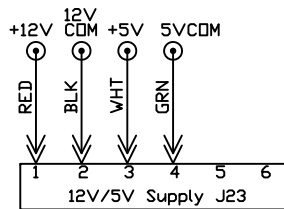
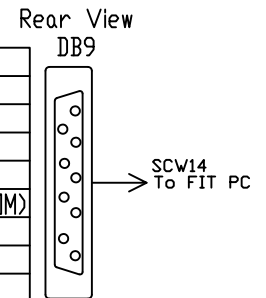
SCW15 (To Devices)		
Pin	Color	Signal
1	White	E-Stop Switch
2	Green	E-Stop Switch
3	Red	N/C
4	Black	N/C
5	N/C	
6	White	To Alarm ACK PB
7	Green	To Alarm Ack PB
8	Red	To Alarm +
9	Black	To Alarm -



Safety Circuit



SCJ1		
Pin	Color	Signal
1	Red	To RS232 Board
2	Black	To RS232 Board
3	Yellow	To RS232 Board
4	N/C	N/C
5	Green	To RS232 PCB (5VCOM)
6	White	To Alarm ACK PB
7	Green	To Alarm Ack PB
8	Red	To Alarm +
9	Black	To Alarm -



**LAFAYETTE**

Lafayette College  
Easton, Pa  
ECE Department

TITLE  
SCADA Wiring Diagram

SIZE A	DWG NO A4	ASSIGNMENT SENIOR DESIGN II	REV 0
-----------	--------------	--------------------------------	----------

⊙ - Terminal in SCADA Enclosure DRAWN BY STEVE LOCKETT

COURSE ECE492 SHEET 2 of 2 5 - 12 - 2009