

Memorandum

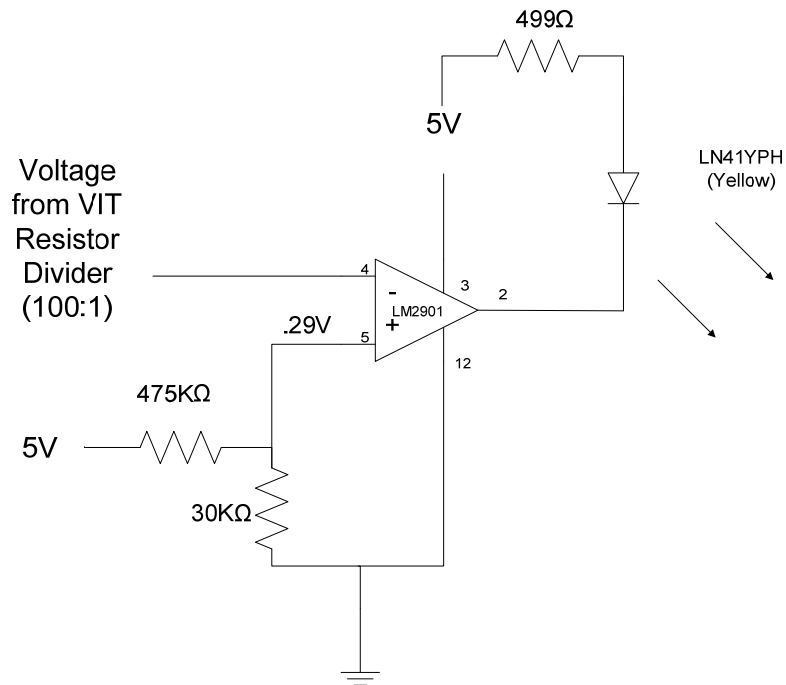
To: Senior Management

From: Alyssa Batula

Date: 4/15/2009

Re: ESS 30V Indicator

The 30V indicator light will be lit whenever 30V or more is stored in the batteries. When prototyped at low voltages, the indicator light came on when .3V (representing 30V from the batteries) was applied to the input. The total power dissipated by this circuit is .06W.



LM2901
1.645uW from input
.01W supply

Resistor Divider: 0.05mW

LED: .05W

Total: .06W

April 15, 2009