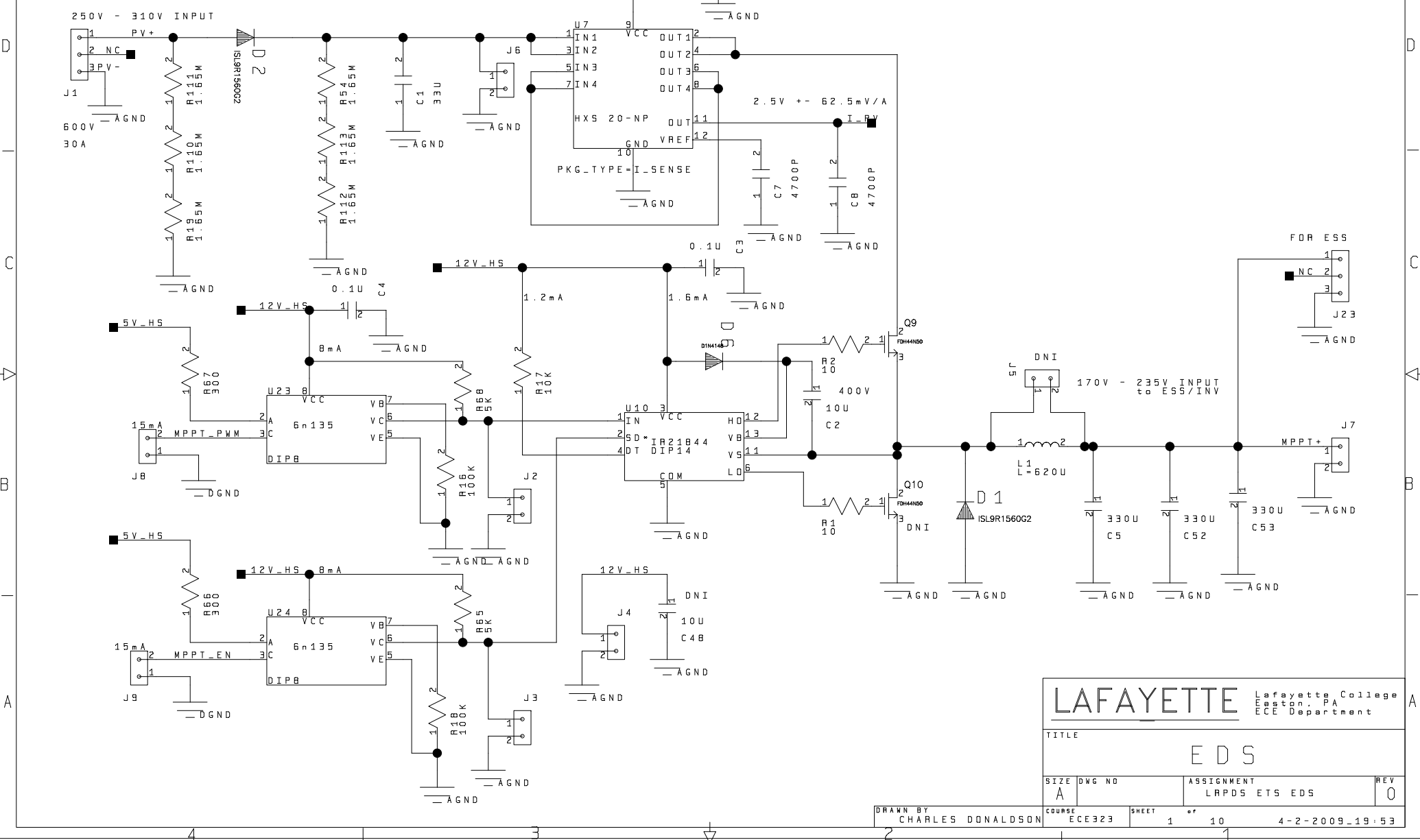


MPPT

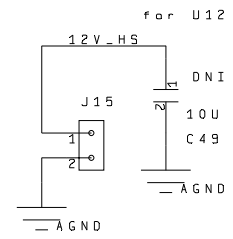
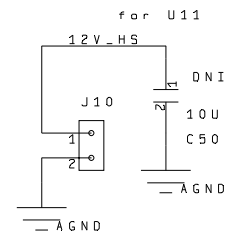
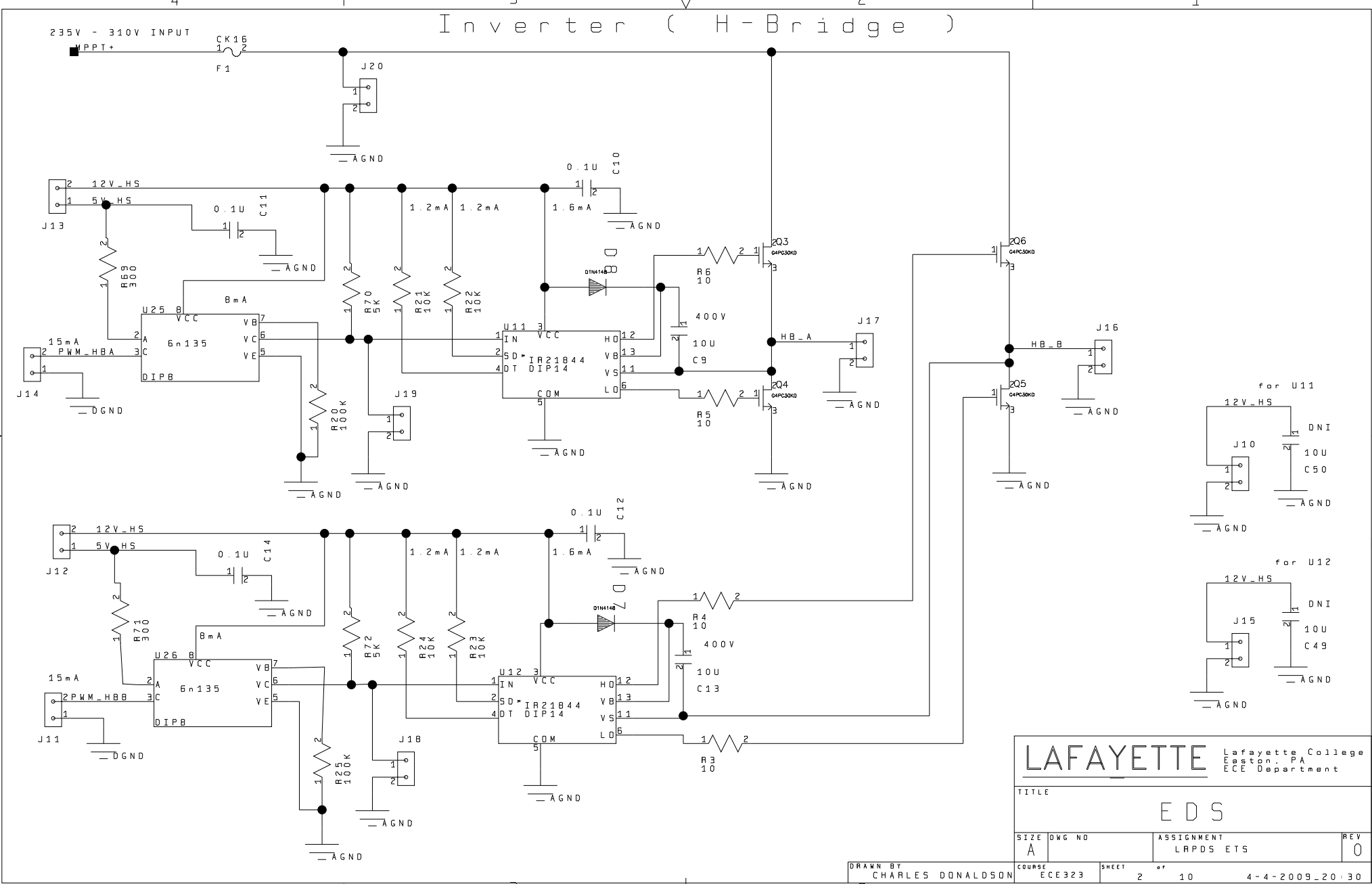
IPC-2221, IPC-D275
 20A, 2 oz/sgft, 1 in. external, w - 365m11
 400V, gap = 50m11



LAFAYETTE Lafayette College
 Easton, PA
 ECE Department

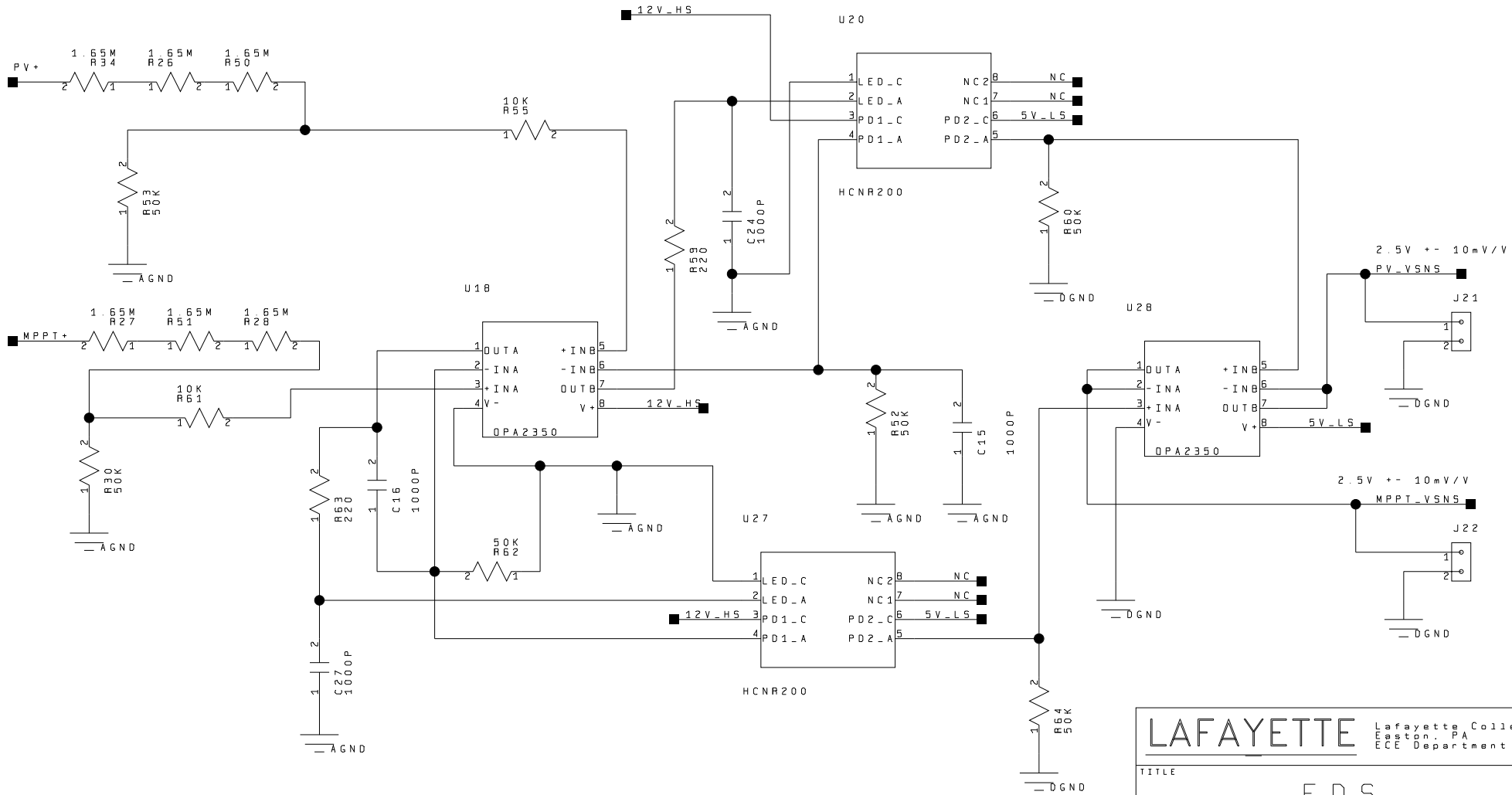
TITLE		EDS	
SIZE	DWG NO	ASSIGNMENT	REV
A		LRPDS ETS EDS	0
DRAWN BY CHARLES DONALDSON		COURSE ECE323	SHEET 1 of 10
		4-2-2009-19:53	

Inverter (H-Bridge)



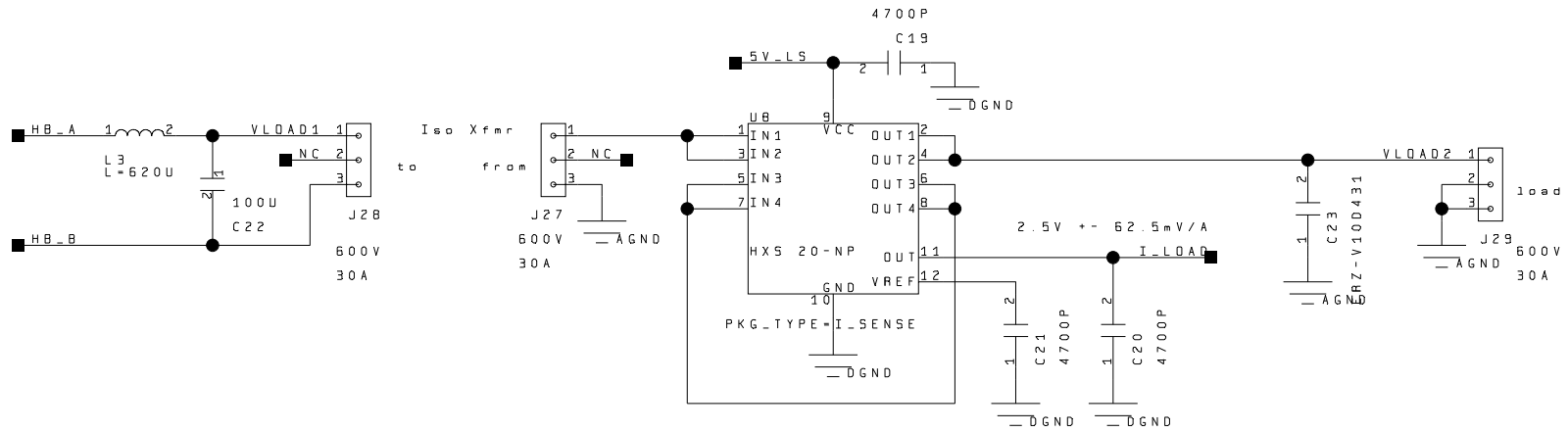
LAFAYETTE		Lafayette College Easton, PA ECE Department	
TITLE			
E D S			
SIZE	DWG NO	ASSIGNMENT	REV
A		LRPDS ETS	0
DRAWN BY		COURSE	SHEET
CHARLES DONALDSON		ECE323	2 of 10
		DATE	REV
		4-4-2009	20:30

DC Voltage Sensors



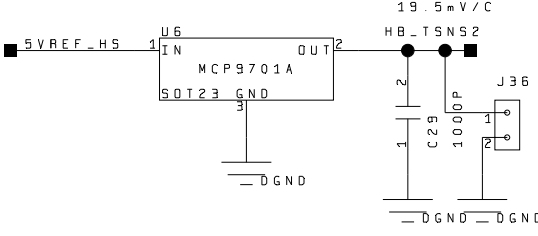
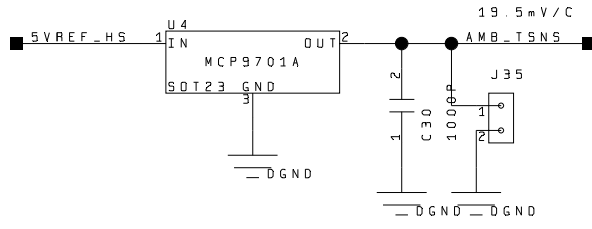
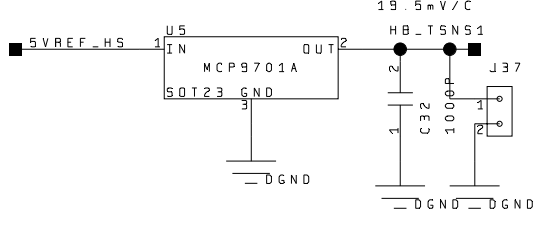
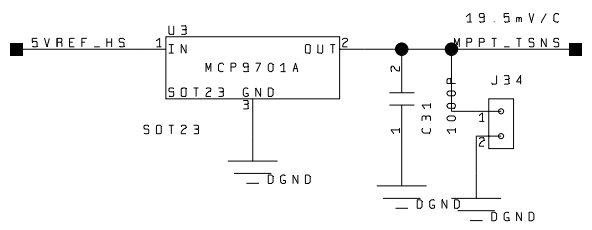
LAFAYETTE		Lafayette College Easton, PA ECE Department	
TITLE EDS			
SIZE A	DWG NO	ASSIGNMENT LRPDS ETS EDS	REV 0
DRAWN BY MICHAEL CAZZOLA		COURSE ECE323	SHEET 3 of 10 4-6-2009-22:12

Inverter filter



LAFAYETTE		Lafayette College Easton, PA ECE Department
TITLE		
EDS		
SIZE	DWG NO	ASSIGNMENT
A		LRPDS ETS EDS
DRAWN BY	COURSE	SHEET
CHARLES DONALDSON	ECE323	4 of 10
REV	DATE	
0	4-2-2009-19:53	

Temperature Sensors



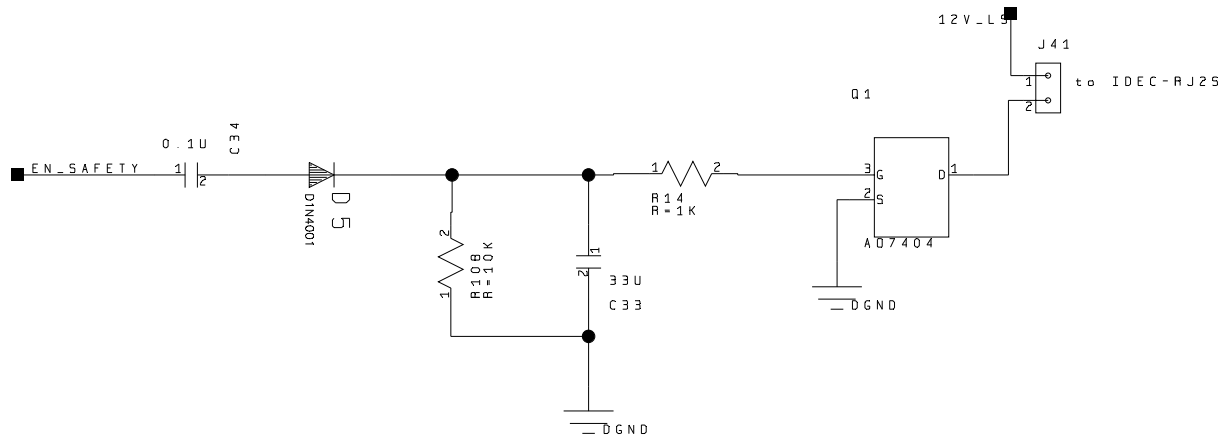
LAFAYETTE Lafayette College
Easton, PA
ECE Department

TITLE
EDS

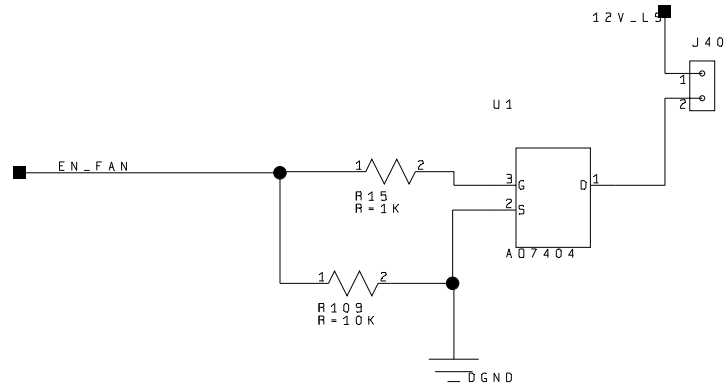
SIZE A	DWG NO	ASSIGNMENT LRPDS ETS EDS	REV 0
-----------	--------	-----------------------------	----------

DRAWN BY CHARLES DONALDSON	COURSE ECE323	SHEET 5 of 10	DATE 4-1-2009-21:56
-------------------------------	------------------	------------------	------------------------

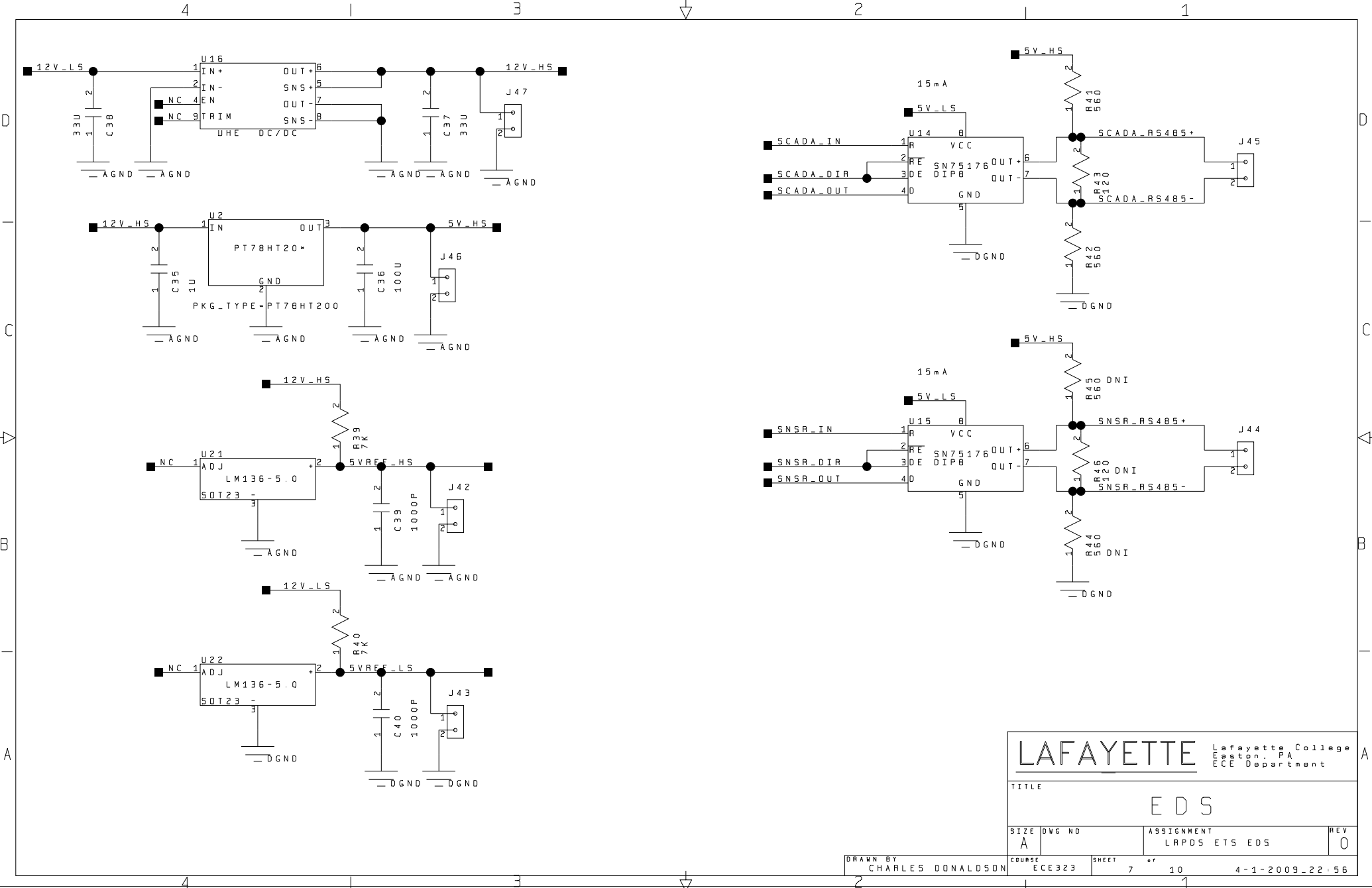
Safety



Fan Control



LAFAYETTE		Lafayette College Easton, PA ECE Department	
		TITLE EDS	
SIZE A	DWG NO	ASSIGNMENT LRPDS ETS EDS	REV 0
DRAWN BY CHARLES DONALDSON		COURSE ECE323	SHEET 6 of 10 4-1-2009-21:56



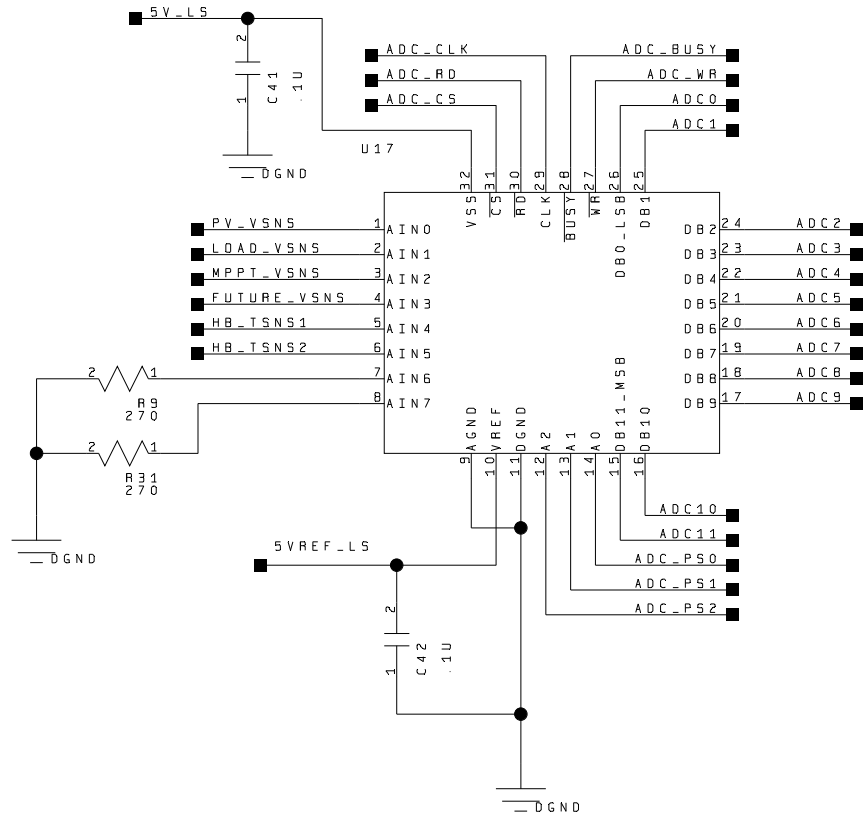
LAFAYETTE Lafayette College
Easton, PA
ECE Department

TITLE
EDS

SIZE A	DWG NO	ASSIGNMENT LRPDS ETS EDS	REV 0
-----------	--------	-----------------------------	----------

DRAWN BY CHARLES DONALDSON	COURSE ECE323	SHEET 7 of 10	DATE 4-1-2009-22:56
-------------------------------	------------------	------------------	------------------------

A D C



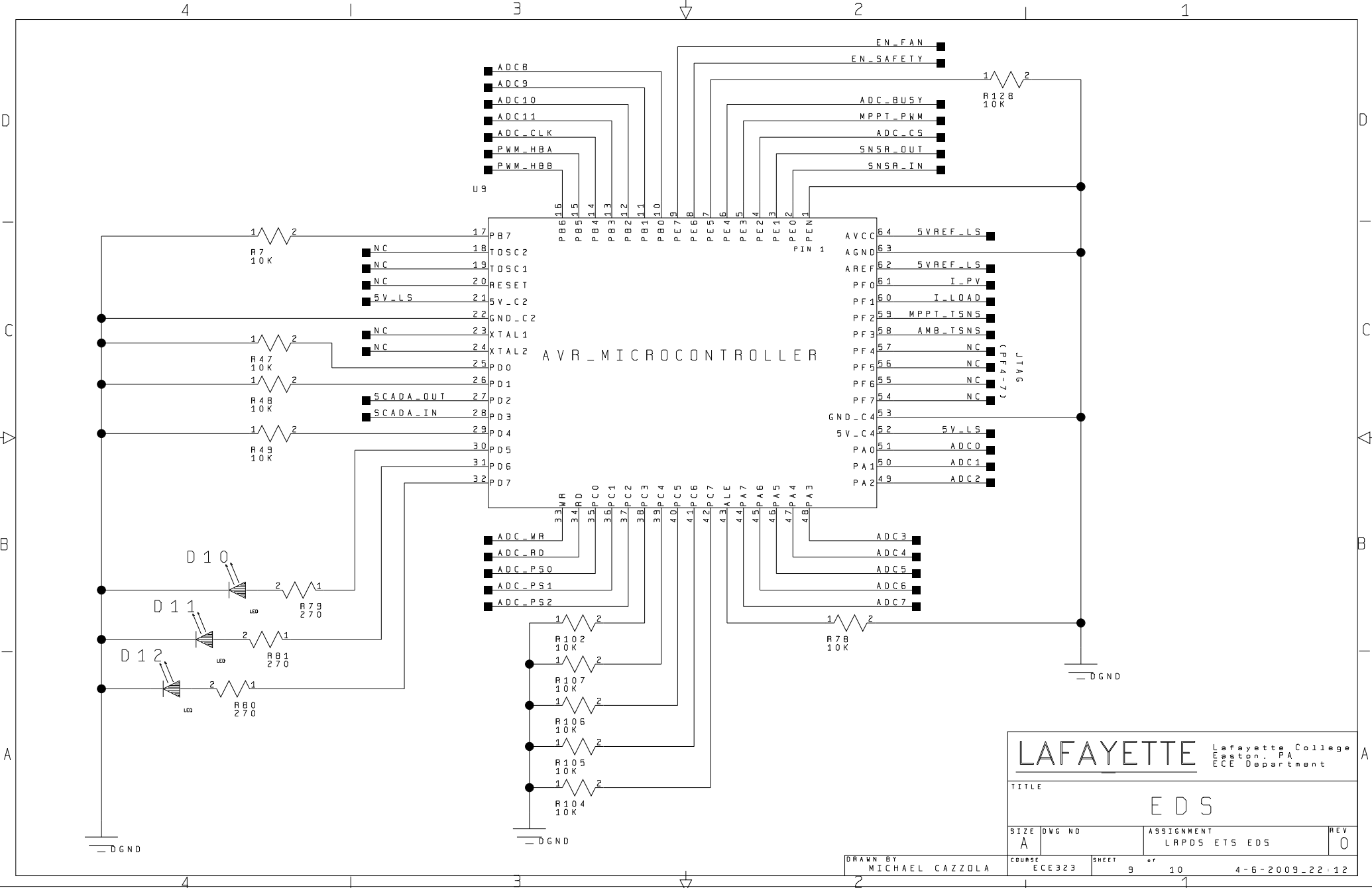
LAFAYETTE Lafayette College
Easton, PA
ECE Department

TITLE

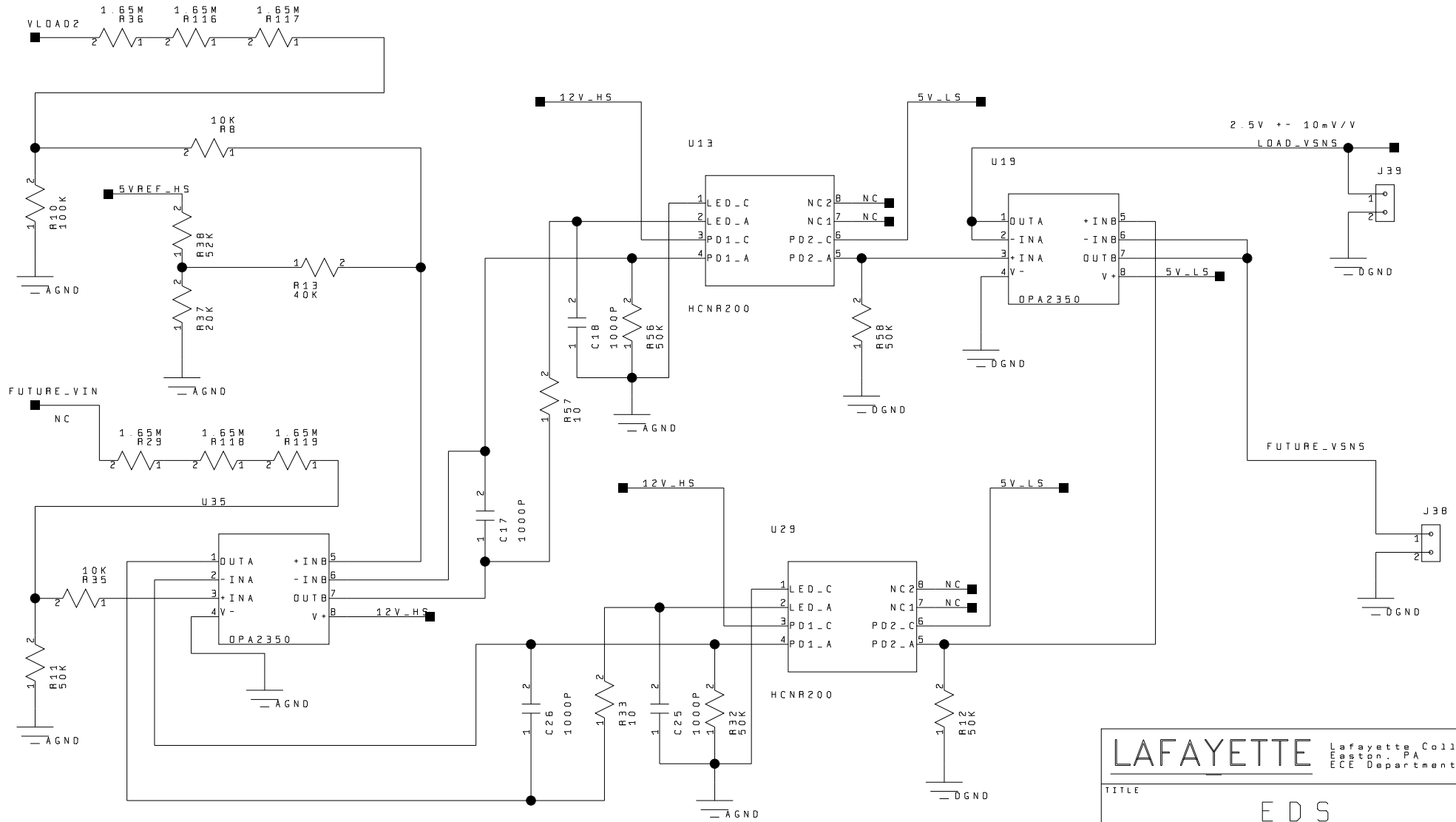
E D S

SIZE A	DWG NO	ASSIGNMENT LRPDS ETS EDS	REV 0
-----------	--------	-----------------------------	----------

DRAWN BY MICHAEL CAZZOLA	COURSE ECE323	SHEET 8	OF 10	4-1-2009-21:56
-----------------------------	------------------	------------	----------	----------------



AC Voltage Sensors



LAFAYETTE		Lafayette College Easton, PA ECE Department	
TITLE EDS			
SIZE A	DWG NO	ASSIGNMENT LRPDS ETS EDS	REV 0
DRAWN BY MICHAEL CAZZOLA		COURSE ECE323	SHEET 10 of 10
DATE 4-6-2009-22:12			